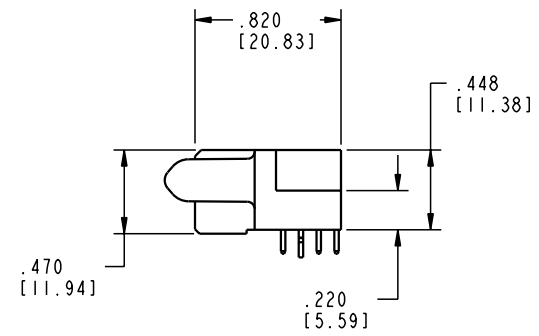
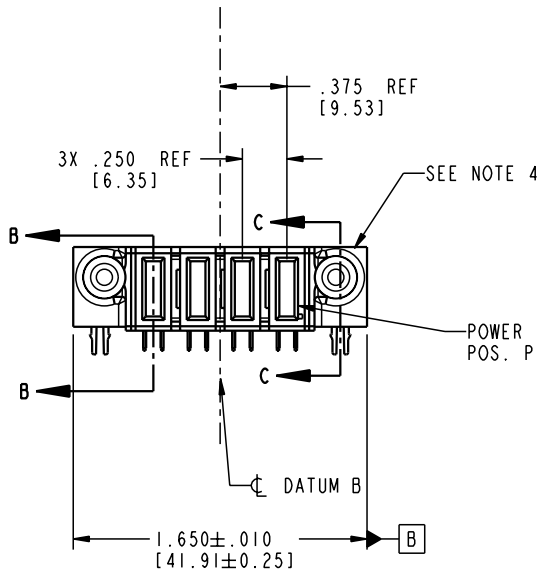
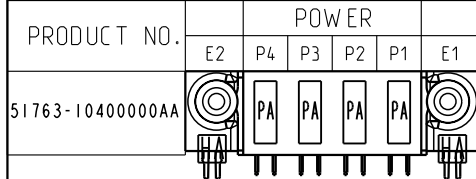


Tous droits strictement reserves. Reproduction ou communication a des tiers interdite sous quelque forme que ce soit sans autorisation écrite du propriétaire. Propriete de c FCI. Droits de reproduction FCI.



All rights strictly reserved. Reproduction or issue to third parties in any form whatever is not permitted without written authority from the proprietor. Property of FCI. Copyright FCI.



CODE	DIM "M" MATING LENGTH	CONTACT TYPE
PA	.042 [1.07]	POWER
HA	N/A [N/A]	HOLD-DOWN

mat'l code				SEE NOTE 2		tolerances unless otherwise specified		CUSTOMER		 www.fciconnect.com	
ltr	ecn no.	dr	date	linear	.XX±.01/0.X±0.3	projection	COPY				
A	V03-0566	MEM	5/15/03		.XXX±.005/0.XX±0.13		title				
				angles	.XXX±.002/0.XXX±0.051		4P				
				dr	0°±2°	INCH/MM	product family		PwrBlade		
				enrg	M. MOSTOLLER 5/15/03	scale	size	dwg no	code		
				chr	H. BREWBAKER 5/15/03	1:1	A	51763-10400000AA	213		
				appd	M. MOSTOLLER 5/15/03				sheet		
sheet index		revision sheet	A 1	A 2	A 3	A 4			1 of 4		

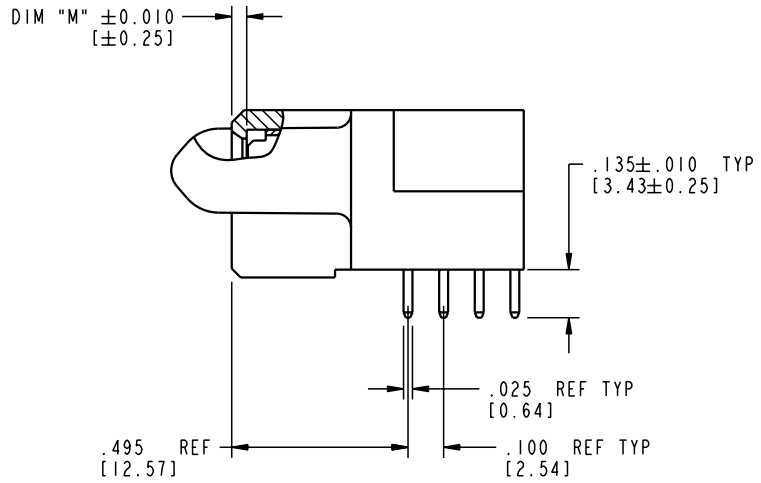
cage code 22526

Pro/E

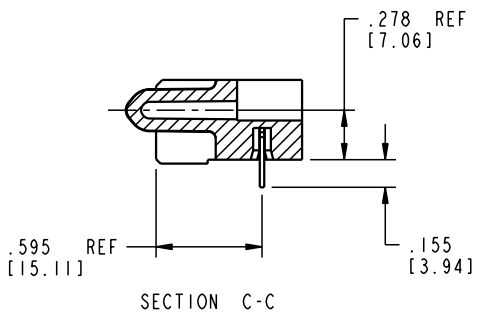
Tous droits strictement reserves. Reproduction ou communication a des tiers interdite sous quelque forme que ce soit sans autorisation ecrite du proprietaire. Propriete de c FCI. Droits de reproduction FCI.

All rights strictly reserved. Reproduction or issue to third parties in any form whatever is not permitted without written authority from the proprietor. Property of FCI. Copyright FCI.

PRODUCT NUMBER
51763-10400000AA



BROKEN-OUT SECTION B-B
SCALE 2:1



mat'l code				SEE NOTE 2		tolerances unless otherwise specified		CUSTOMER		 www.fciconnect.com	
lfr	ecr no.	dr	date	linear	.XX±.01/0.X±0.3	projection		COPY		title	
A					.XXX±.005/0.XX±0.13			R/A		4P	
				angles	.XXX±.002/0.XXX±0.051			INCH/MM		product family	
				dr	M. MOSTOLLER 5/15/03	1:1		PwrBlade		code	
				enrg	M. MOSTOLLER 5/15/03			size		213	
				chr	H. BREWBAKER 5/15/03			A		sheet	
				appd	M. MOSTOLLER 5/15/03			51763-10400000AA		2 of 4	
sheet index		revision sheet									

cage code 22526

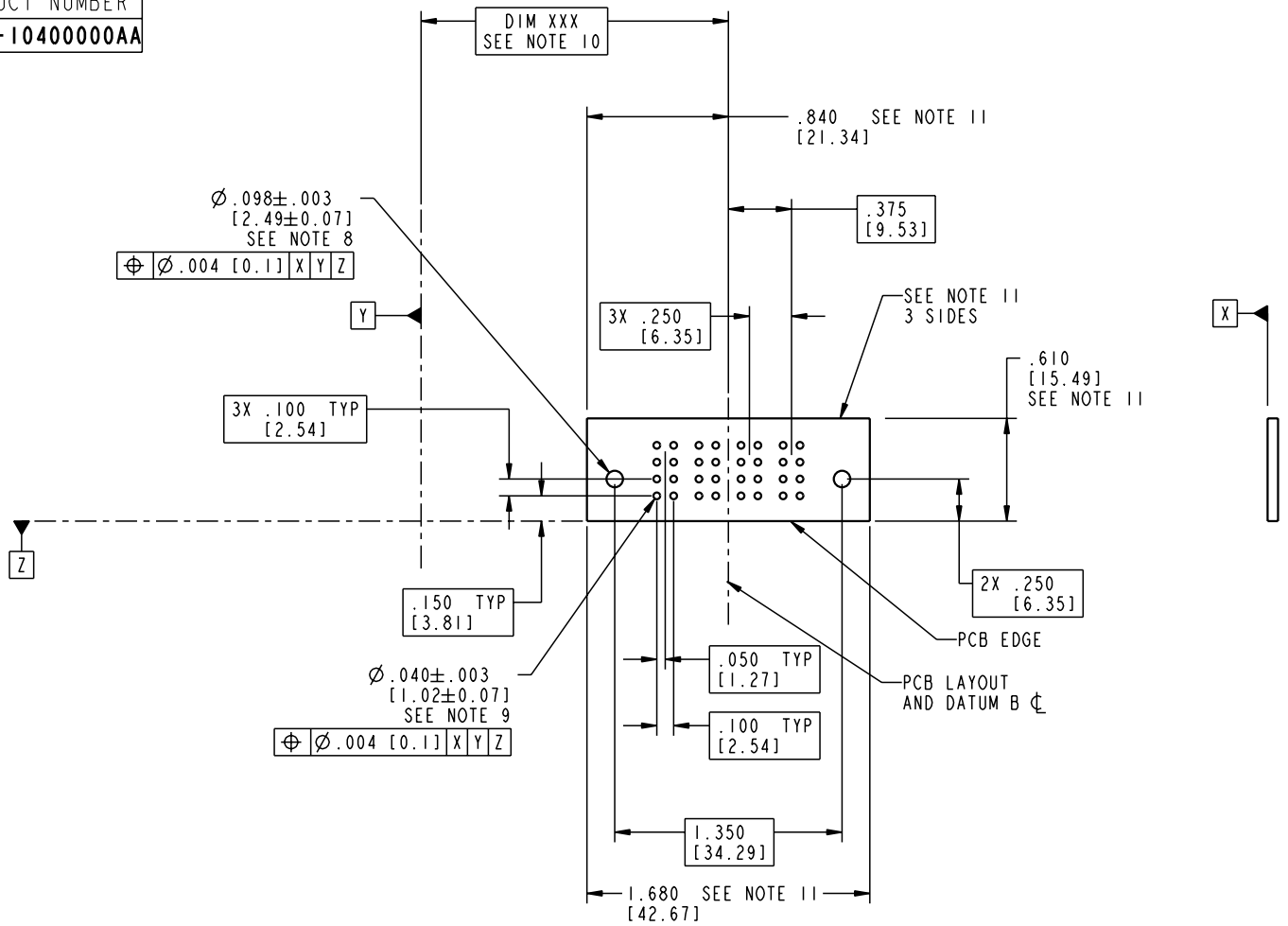
Pro/E

Tous droits strictement reserves. Reproduction ou communication a des tiers interdite sous quelque forme que ce soit sans autorisation écrite du propriétaire. Propriete de c FCI. Droits de reproduction FCI.

All rights strictly reserved. Reproduction or issue to third parties in any form whatever is not permitted without written authority from the proprietor. Property of FCI. Copyright FCI.



PRODUCT NUMBER
51763-10400000AA



mat'l code				SEE NOTE 2		tolerances unless otherwise specified		CUSTOMER		 www.fciconnect.com	
lfr	ecr no.	dr	date	linear	.XX±.01/0.X±0.3	COPY		projection		title	
A					.XXX±.005/0.XX±0.13	A				4P	
				angles	.XXX±.002/0.XXX±0.051					R/A SOLDER RECEPTACLE	
				dr	0°±2°					product family	
				enr	M. MOSTOLLER 5/15/03	INCH/MM				PwrBlade	
				chr	M. MOSTOLLER 5/15/03	scale		size		code	
				appd	H. BREWBAKER 5/15/03	1:1		dwg no		213	
					M. MOSTOLLER 5/15/03			A		sheet	
sheet index		revision sheet						51763-10400000AA		3 of 4	

cage code 22526

Pro/E

Tous droits strictement reserves. Reproduction ou communication a des tiers interdite sous quelque forme que ce soit sans autorisation écrite du propriétaire. Propriete de c FCI. Droits de reproduction FCI.



All rights strictly reserved. Reproduction or issue to third parties in any form whatever is not permitted without written authority from the proprietor. Property of FCI. Copyright FCI.

1 | 2

3 |

4

PRODUCT NUMBER
51763-10400000AA

NOTES:

1. DIMENSIONS AND TOLERANCES ARE IN ACCORDANCE WITH ASME Y14.5M, 1994 UNLESS OTHERWISE SPECIFIED.

CONNECTOR NOTES:

- 2. HOUSING MATERIAL: UL 94 V-0 GLASS FILLED
HIGH-TEMP THERMOPLASTIC
POWER CONTACT MATERIAL: COPPER ALLOY
SIGNAL PIN MATERIAL: COPPER ALLOY
- 3. PLATING:
SIGNAL PINS: 30u"/0.76um Au OVER 50u"/1.27um Ni
POWER CONTACTS: 50u"/1.27um Ni UNDER ALL
WITH 30u"/0.76um Au ON CONTACT AREA
AND SnPb ON PCB INTERFACE

- 4. MANUFACTURER'S NAME, P/N, AND DATE CODE TO APPEAR ON THIS SURFACE.
- 5. PRODUCT SPECIFICATION GS-12-149.
APPLICATION SPECIFICATION BUS-20-067.

6. PACKAGED IN TRAYS.

PCB NOTES:

- 7. ALL HOLE DIAMETERS ARE FINISHED HOLE SIZE.
- 8. MOUNTING HOLES, WHERE APPLICABLE, ARE UNPLATED.
- 9. $\varnothing .0453 \pm .0010$ [1.151 \pm 0.025] DRILLED HOLES PLATED WITH .0003 [0.008] MIN SnPb OVER .001 [0.03] TO .003 [0.08] Cu PLATING TO ACHIEVE $\varnothing .040 \pm .003$ [1.02 \pm .07] HOLE.
- 10. "DIM XXX" TO BE DETERMINED BY THE CUSTOMER.
- 11. CONNECTOR KEEP-OUT ZONE.

mat'l code				SEE NOTE 2		tolerances unless otherwise specified		CUSTOMER		 www.fciconnect.com	
lfr	ecr no.	dr	date	linear	.XX±.01/0.X±0.3	projection	COPY		title		
A					.XXX±.005/0.XX±0.13		R/A		4P		
				angles	.XXX±.0020/0.XXX±0.051		INCH/MM		product family		
				dr	M. MOSTOLLER 5/15/03		scale		PwrBlade		code
				enr	M. MOSTOLLER 5/15/03		1:1		size	dwg no	213
				chr	H. BREWBAKER 5/15/03				A	51763-10400000AA	sheet
				appd	M. MOSTOLLER 5/15/03						4 of 4
sheet index	revision sheet										

1 | 2

Pro/E

3 |

cage code **22526**

4